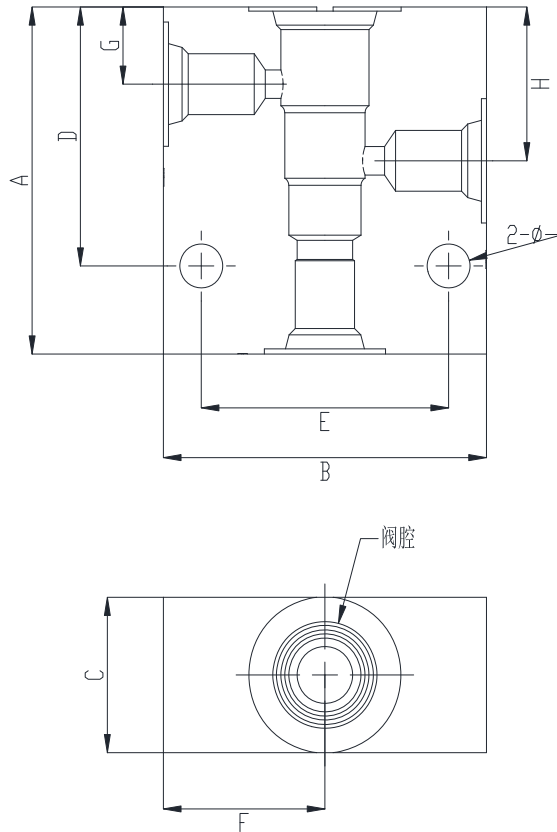




3口标准阀体



阀腔	A	B	C	D	E	F	G	H	2- ϕ
08-3	67.0	64.0	30.0	50.0	49.0	32	15.5	29.7	8.5
10-3	67.0	64.0	32.0	53.8	51.2	32	19.0	31.5	7.0
12-3	102.0	80.0	50.0	82.0	62.0	40.0	29.2	53.8	9.0
16-3	127.0	102.0	50.0	111.0	92.0	50.8	25.4	54.0	9.0

B3 — **08** — **A** — **2G** -

①

产品系列

B3 = 标准阀体, 3通

②

规格

08 = C08-3插孔
10 = C10-3插孔
12 = C12-3插孔
16 = C16-3插孔

③

阀体材料

A = AL, 6061-T6, 最高工作压力210bar
Q = QT500-7, 最高工作压力350bar

④

油口

2G = G1/4
3G = G3/8
4G = G1/2 (C10-3插孔阀体及以上)
6G = G3/4 (C12-3插孔阀体及以上)
8G = G1 (C16-3插孔阀体)
* 其它规格可按需订制